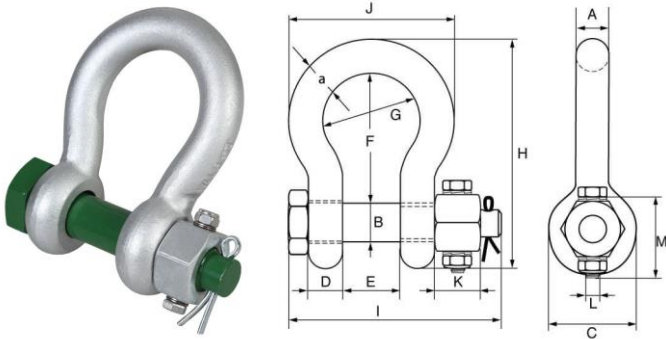




Green Pin® Standard Bow Shackle with Fixed Nut Safety Pin – GPSABFN



- Grade 6 high tensile steel body and pin, quenched and tempered.
- Hot dipped galvanised.
- Conforms to BS EN 13889, ASME B30.26 and meets the performance requirements of US Fed. Spec. RR-C-271 type IVA class 2, grade A.
- Minimum breaking load is 6 times the W.L.L.
- Temperature range -20°C up to +200°C.
- Extra AISI 316 securing bolt drilled through the nut and shackle pin.
- Complete with Nord-Lock® wedge-locking washers that lock when subjected to extreme vibration or dynamic loads.
- Certification available **2.1** **3.1** **DoC** **DNV GL 2.7-1**

G-4143

Product Code	W.L.L.	A	B	C	D	E	F	G	H	I	J	K	L	M	Torque	Weight
	t	mm	mm	mm	mm	mm	mm	mm	mm	mm	mm	mm	mm	mm	Nm	kgs
GPSABFN2	2	13.5	16	34	13.5	22	51	32	89	82	63	13	M6	35	8.4	0.42
GPSABFN3.25	3.25	16	19	40	16	27	64	43	110	98	79	17	M6	40	8.4	0.74

Product Code	W.L.L.	A	B	C	D	E	F	G	H	I	J	K	L	M	Torque	Weight
	t	mm	mm	mm	mm	mm	mm	mm	mm	mm	mm	mm	mm	mm	Nm	kgs
GPSABFN4.75	4.75	19	22	47	19	31	76	51	129	114	94	19	M6	45	8.4	1.18
GPSABFN6.5	6.5	22	25	53	22	36	83	58	144	130	107	22	M8	50	20	1.77
GPSABFN8.5	8.5	25	28	60	25	43	95	68	164	150	124	25	M8	55	20	2.58
GPSABFN9.5	9.5	28	32	67	28	47	108	75	185	166	137	27	M10	60	39	3.66
GPSABFN12	12	32	35	74	32	51	115	83	201	178	154	30	M10	65	39	4.91
GPSABFN13.5	13.5	35	38	80	35	57	133	92	227	197	170	33	M10	70	39	6.54
GPSABFN17	17	38	42	89	38	60	146	99	249	202	183	19	M8	75	20	8.19
GPSABFN25	25	45	50	104	45	74	178	126	300	249	226	23	M8	90	20	14.22
GPSABFN35	35	50	57	111	50	83	197	138	331	269	250	26	M10	100	39	19.85
GPSABFN42.5	42.5	57	65	134	57	95	222	160	377	301	287	29	M12	110	68	28.33
GPSABFN55	55	65	70	145	65	105	260	180	433	330	329	32	M12	120	68	39.59
GPSABFN85	85	75	83	162	73	127	329	190	527	380	355	39	M12	140	68	62